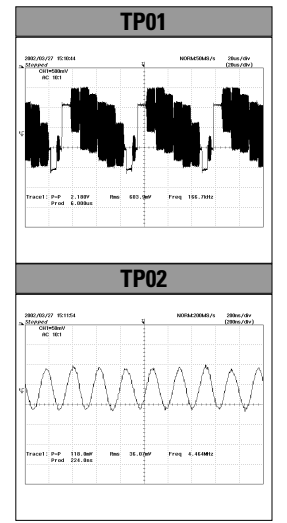
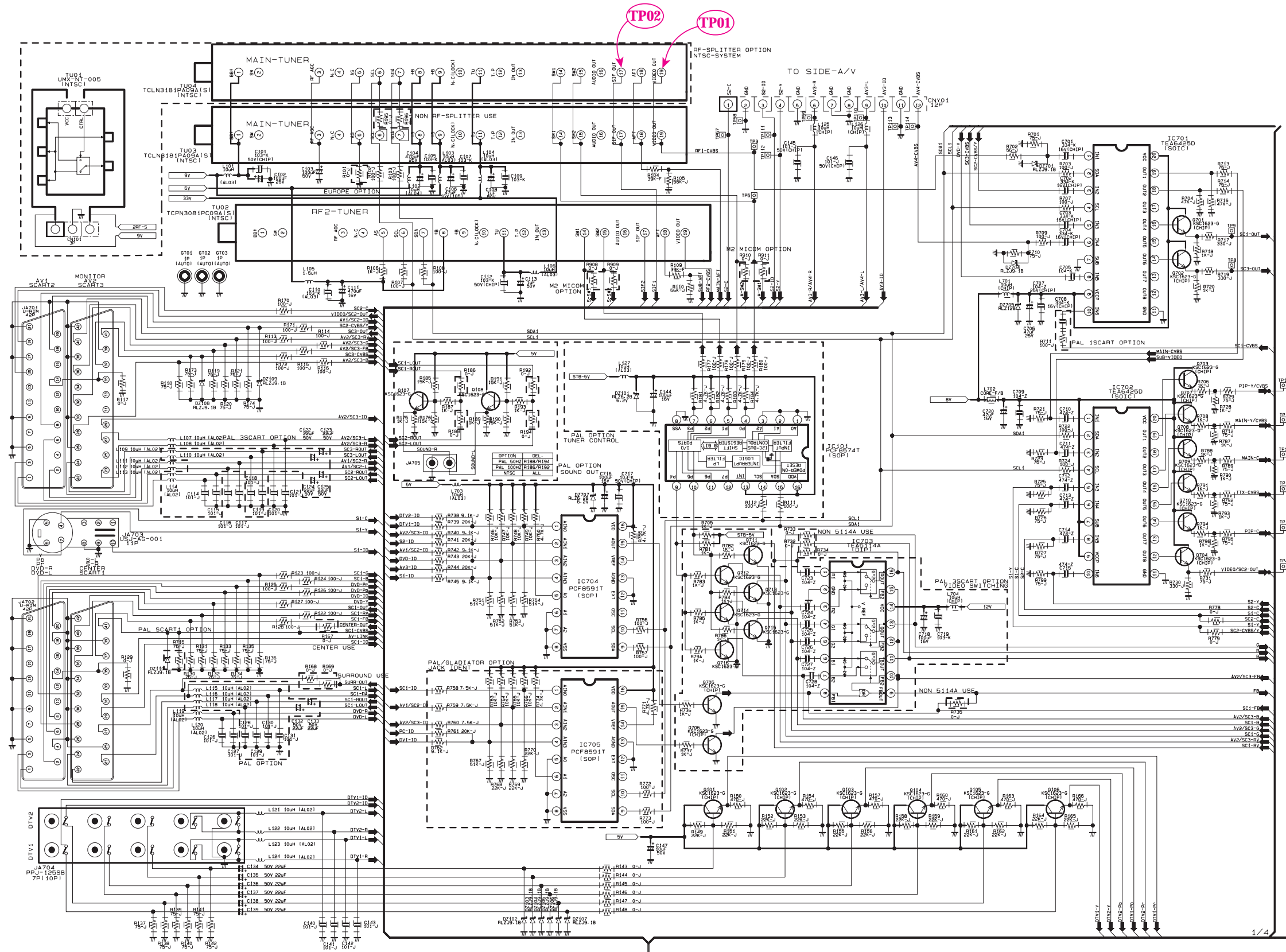
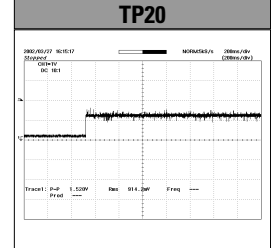
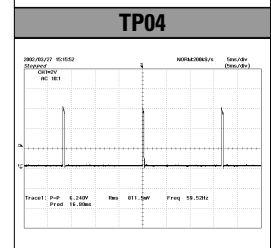
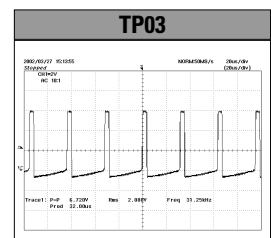
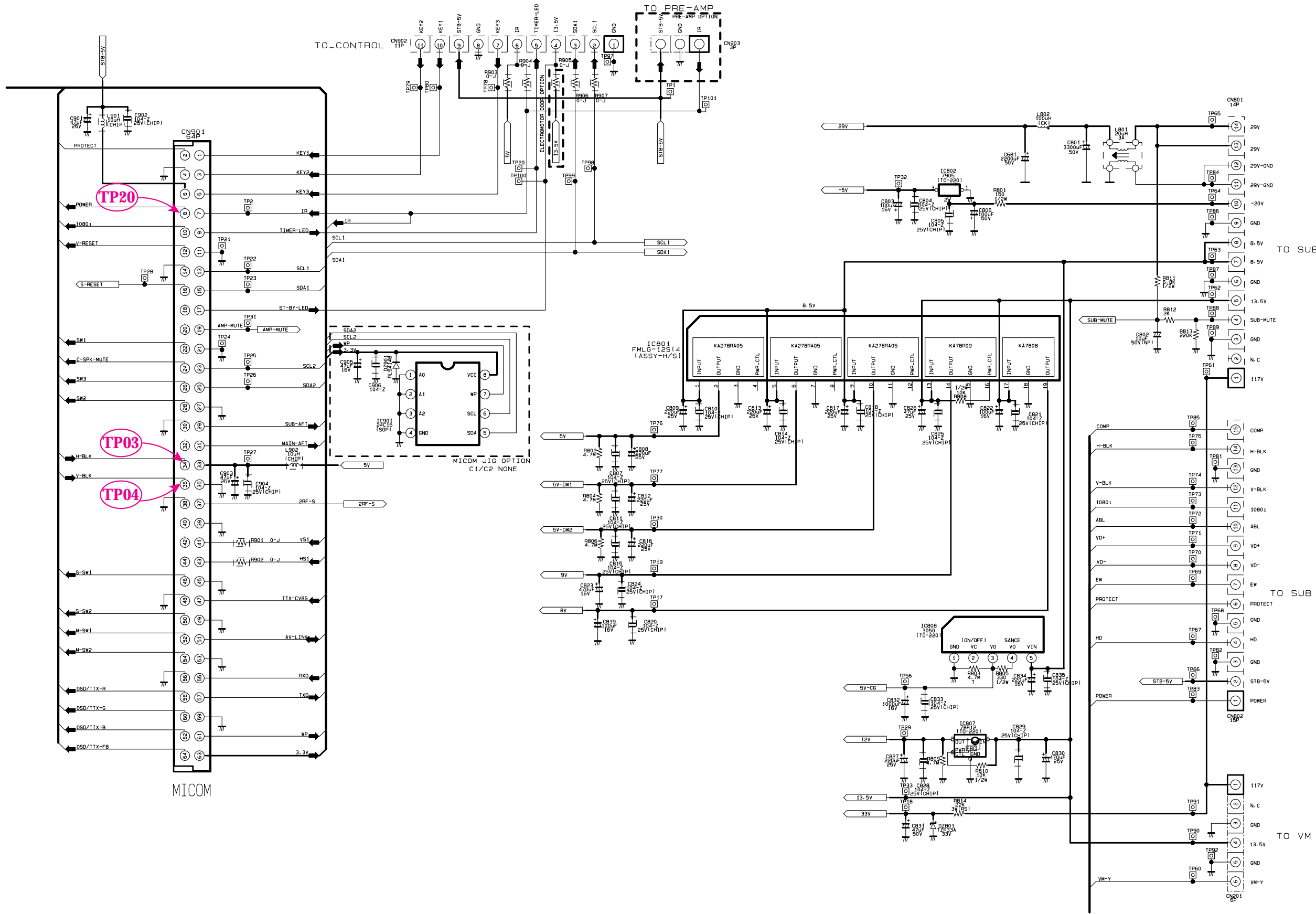


10. Schematic Diagrams

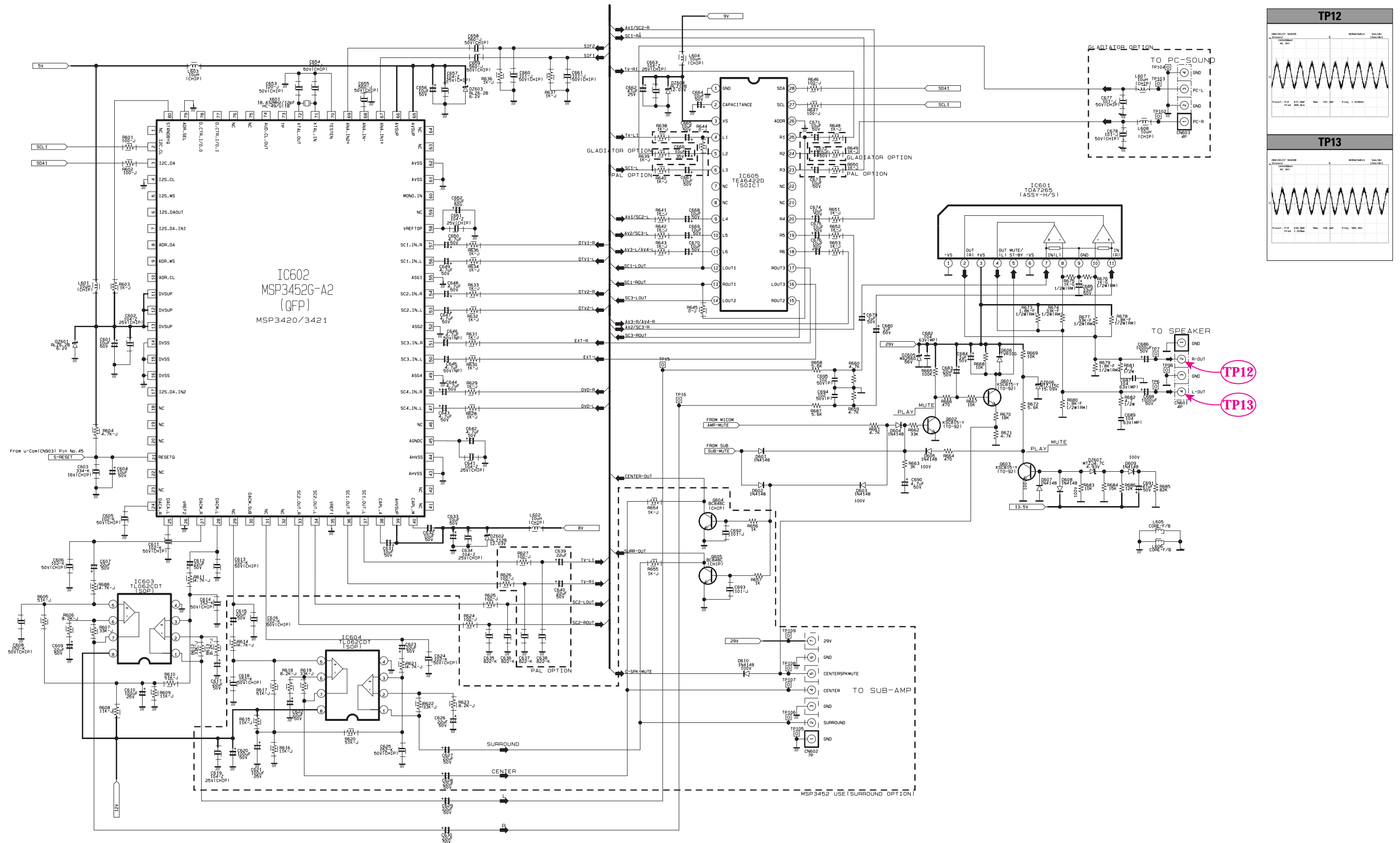
10-1 MAIN 1



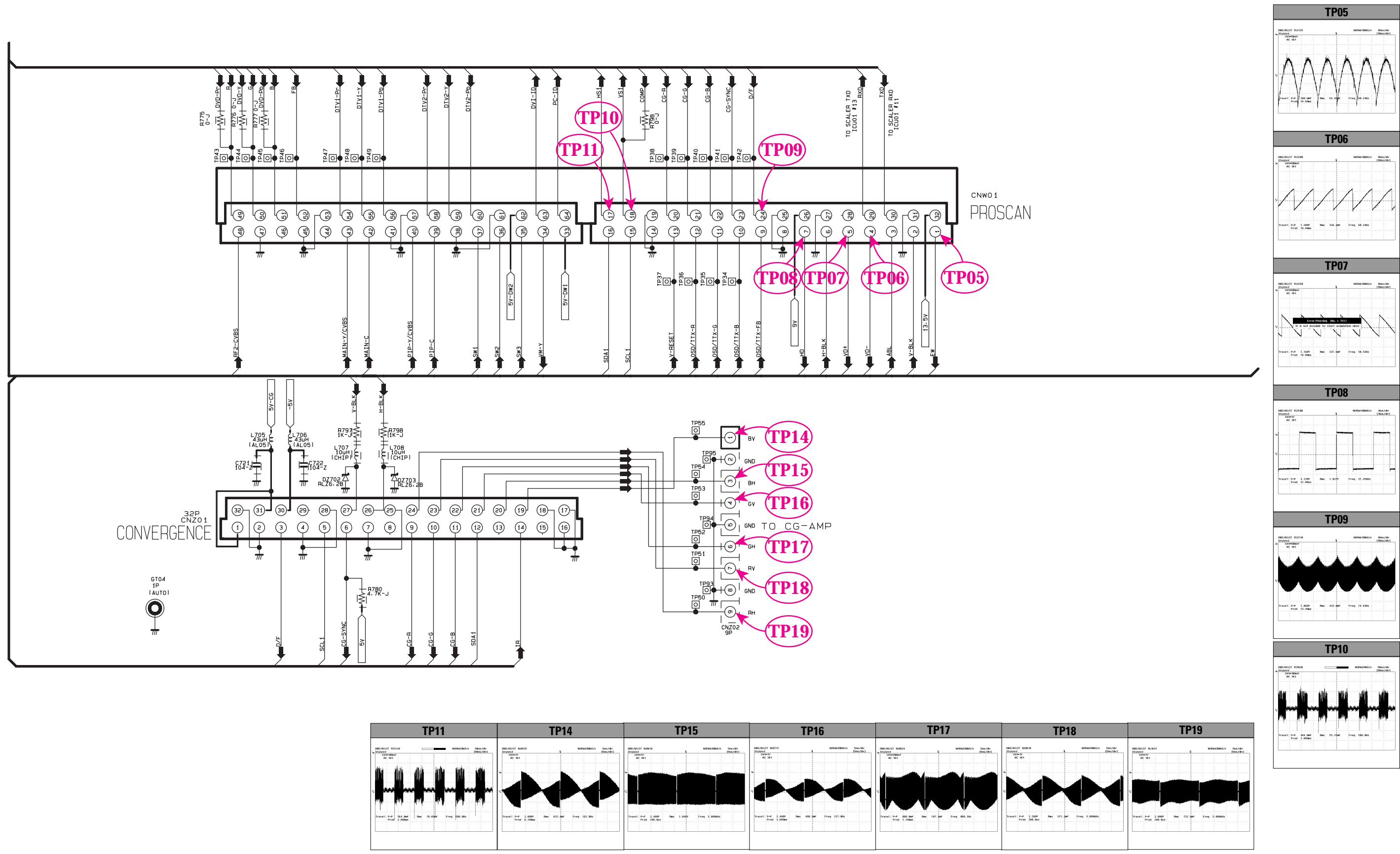
10-2 MAIN 2



10-3 MAIN 3

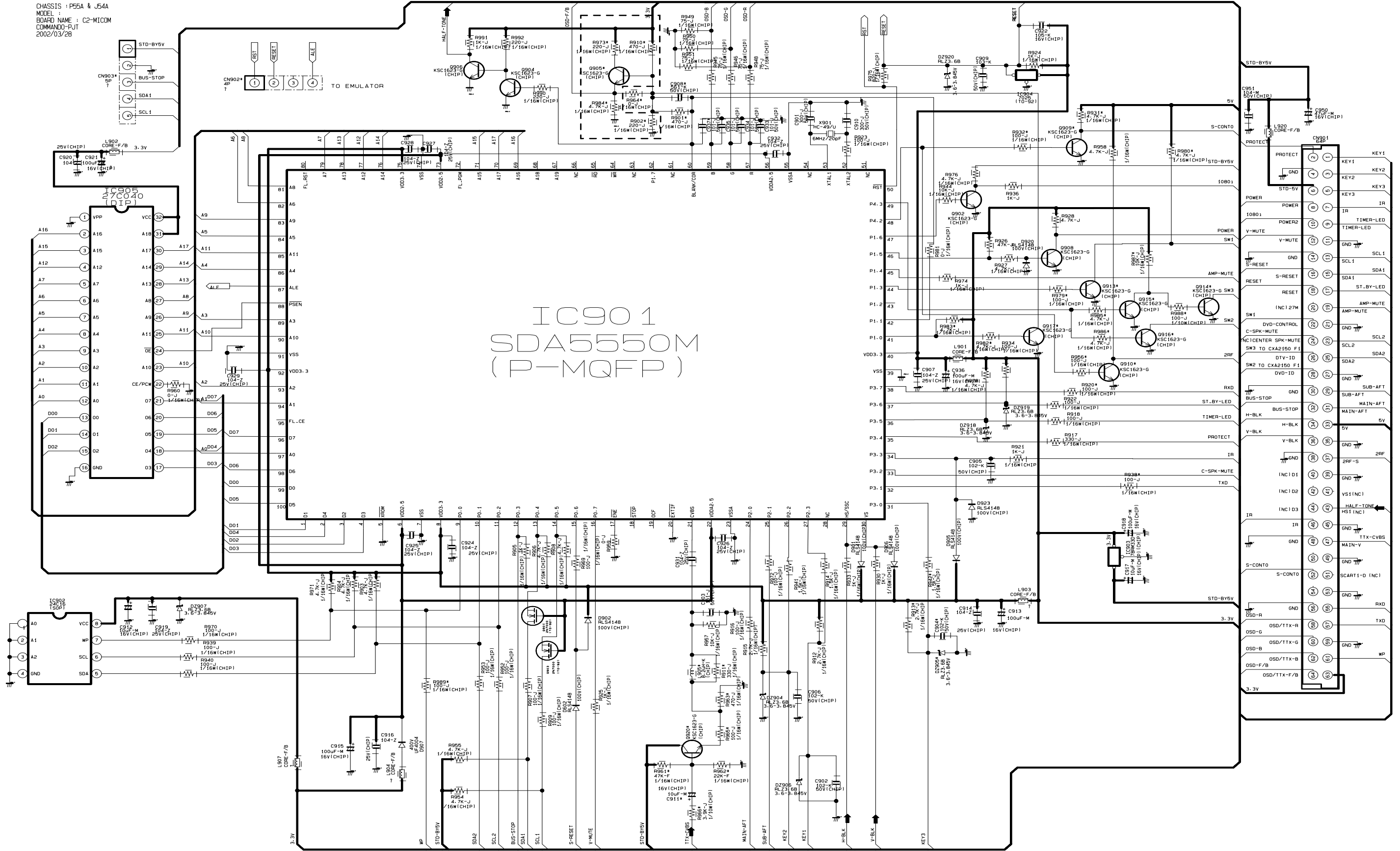


10-4 MAIN 4



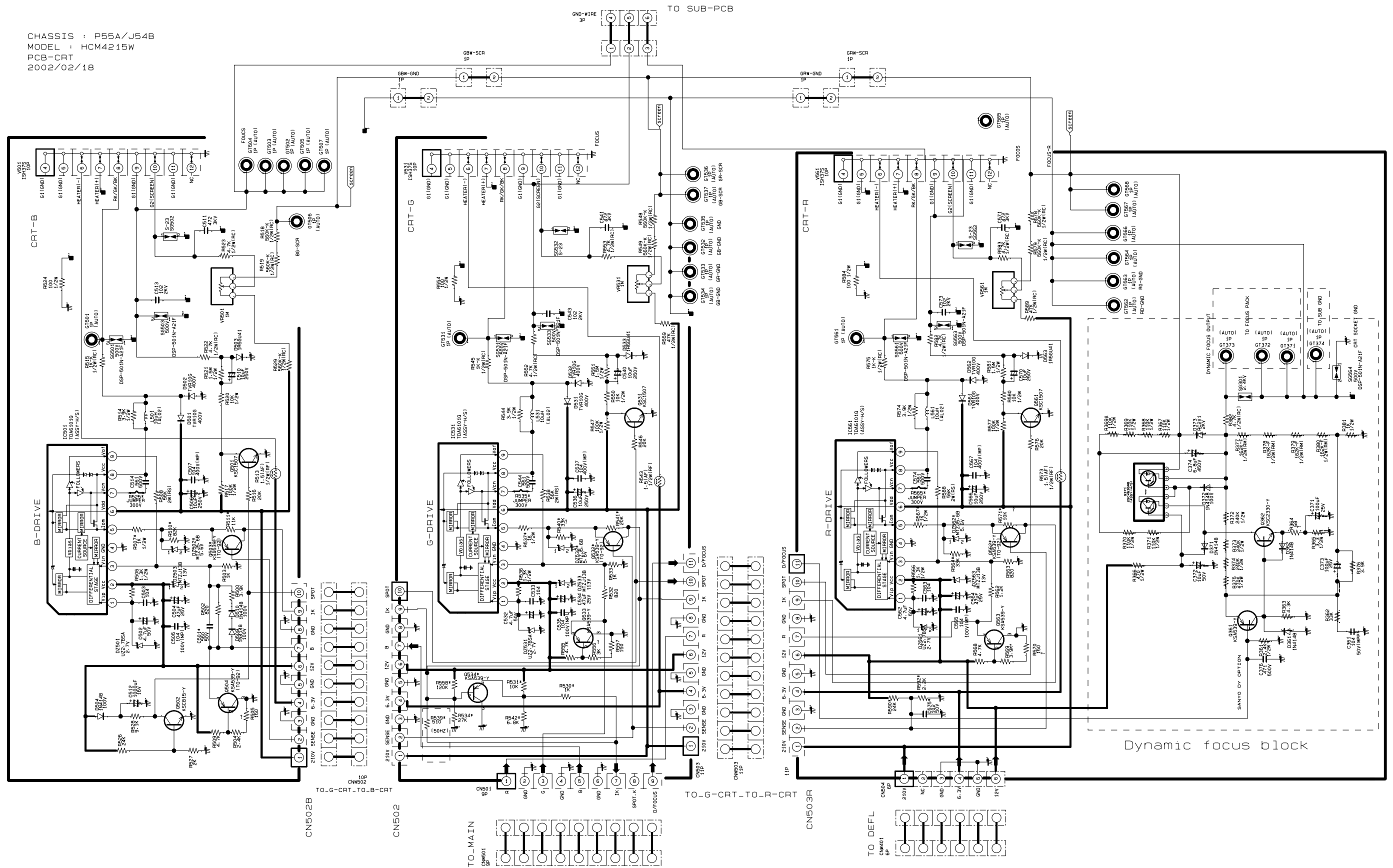
10-5 MICOM

CHASSIS : P55A & J54A
MODEL :
BOARD NAME : C2-MICOM
COMMANDO-PJT
2002/03/28

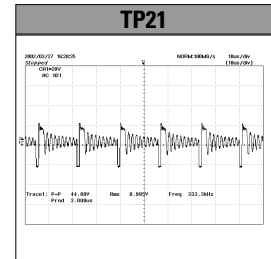
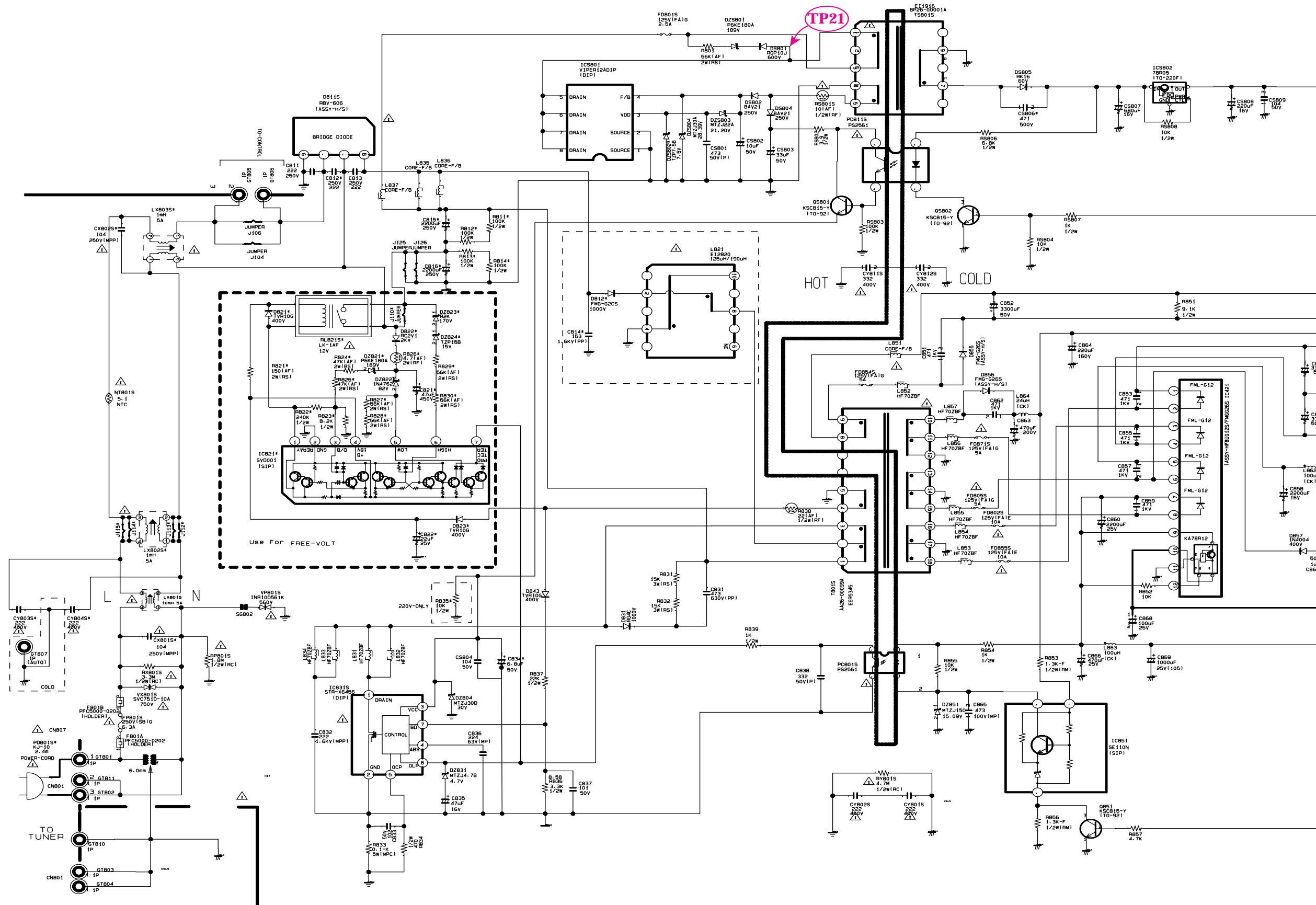


10-6 CRT

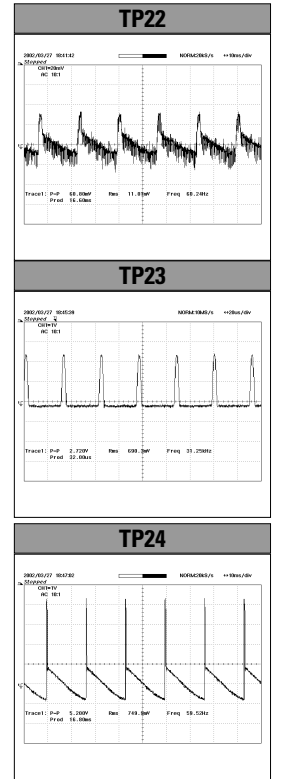
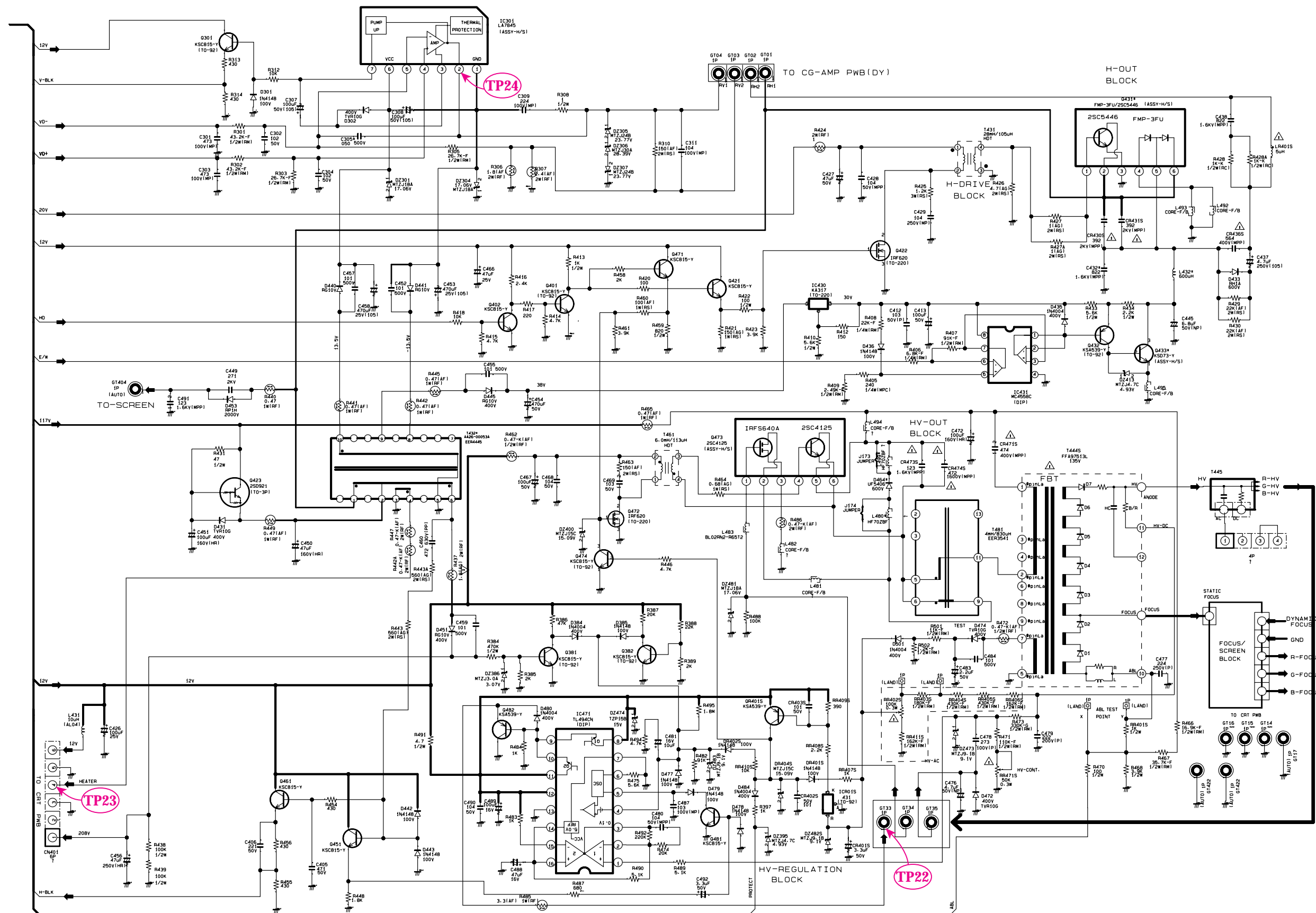
CHASSIS : P55A/J54B
 MODEL : HCM4215W
 PCB-CRT
 2002/02/18



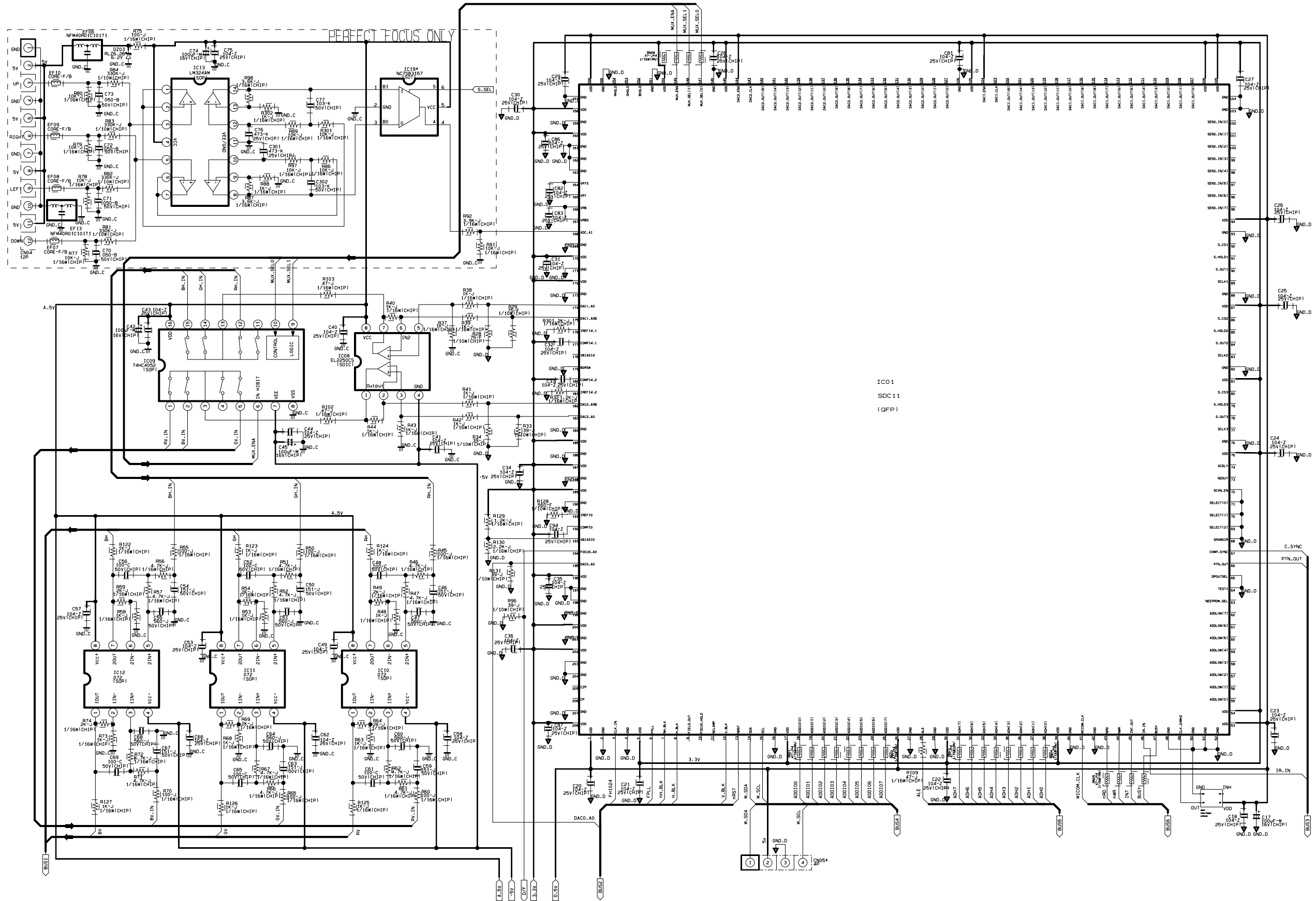
10-7 SUB 1



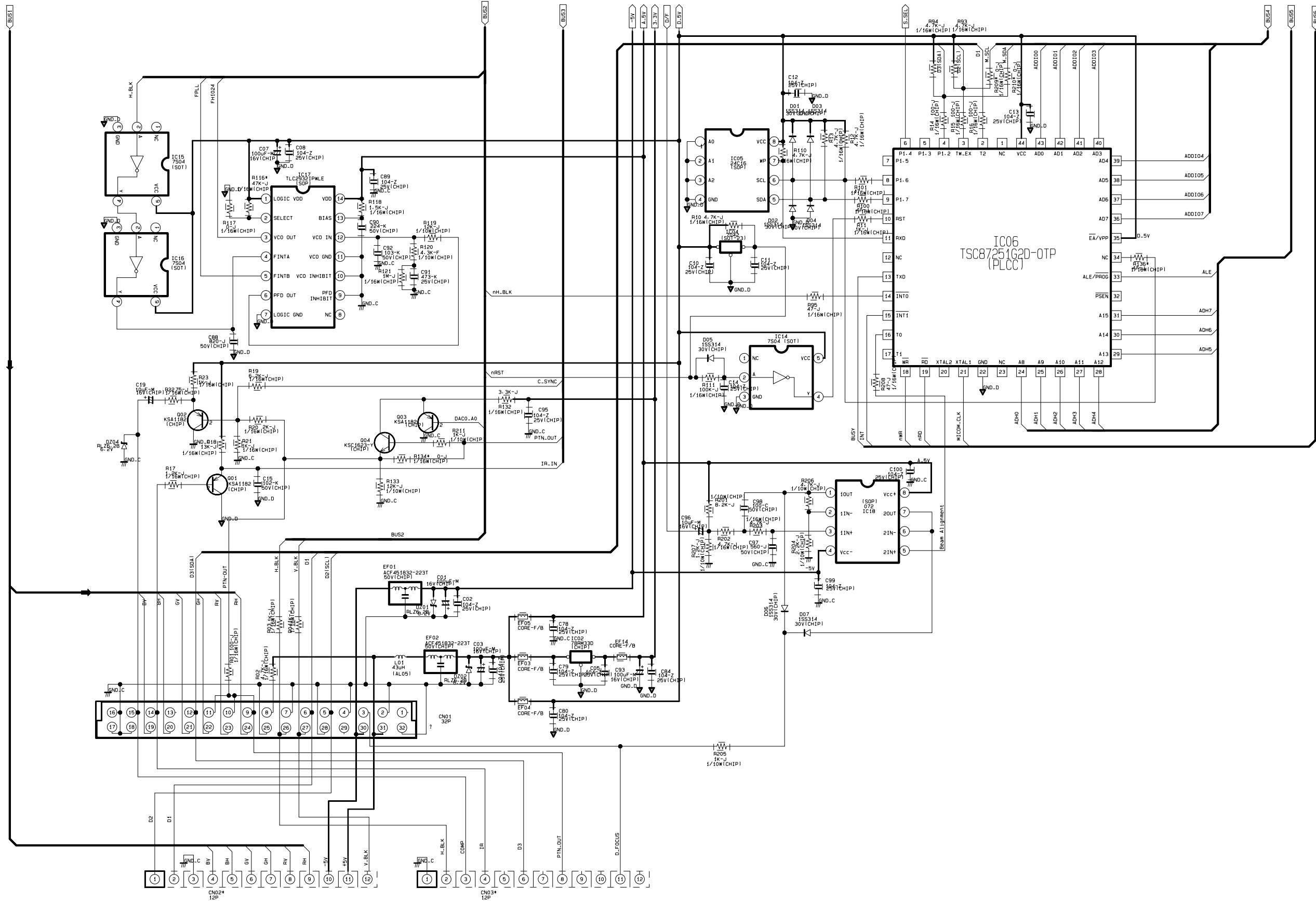
10-8 SUB 2



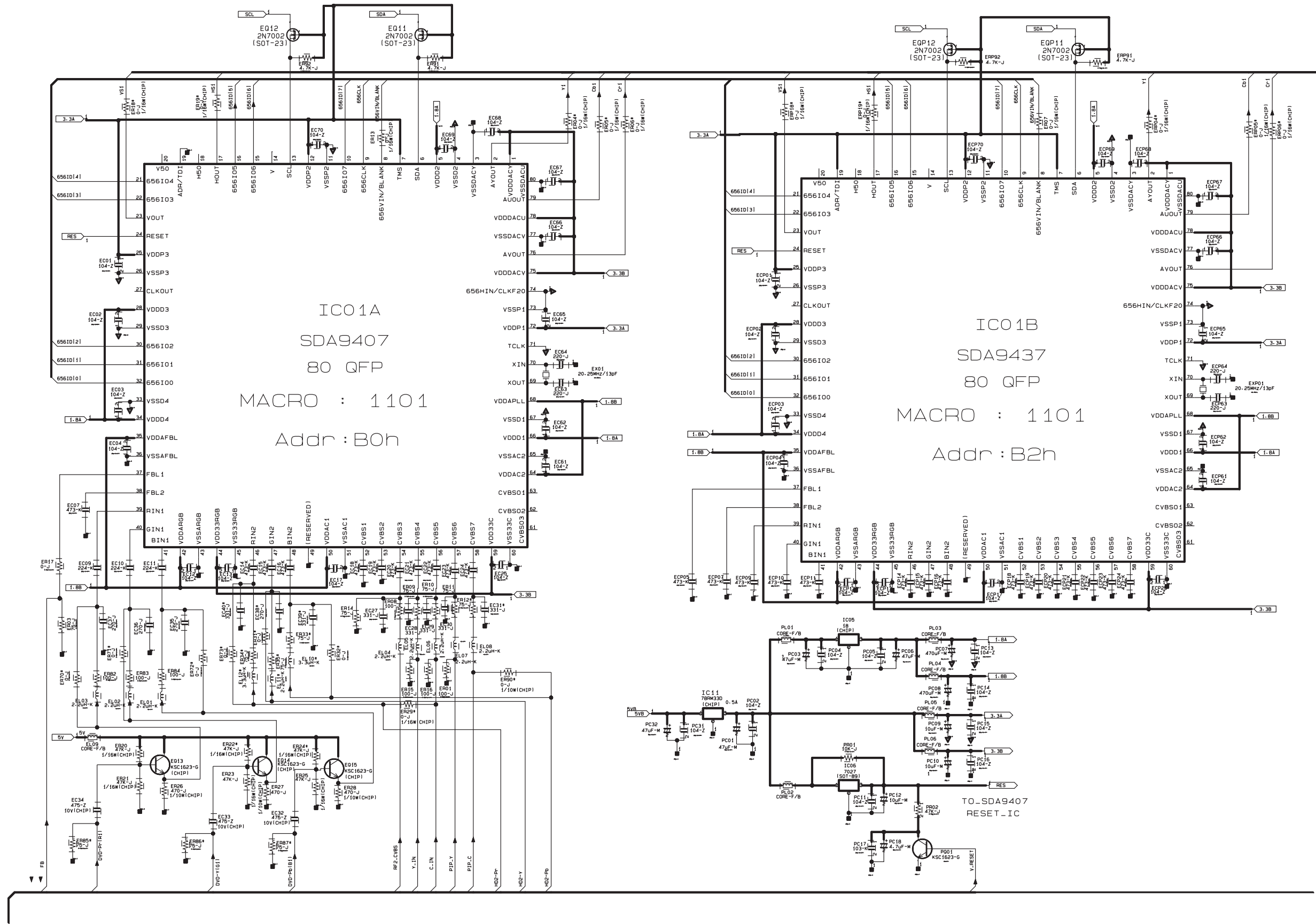
10-9 CONVERGENCE (SDC11 - 1)



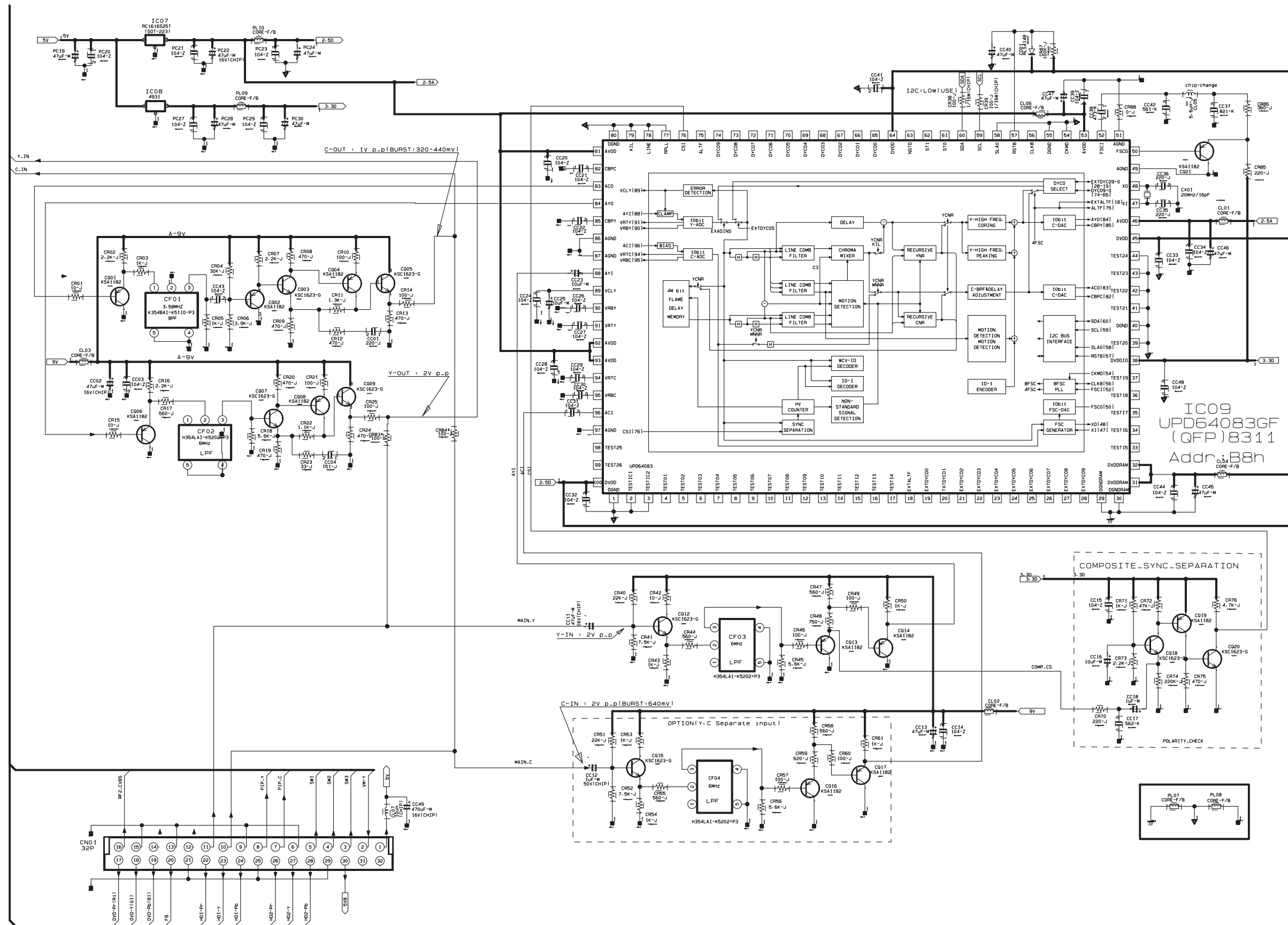
10-10 CONVERGENCE (SDC11 - 2)



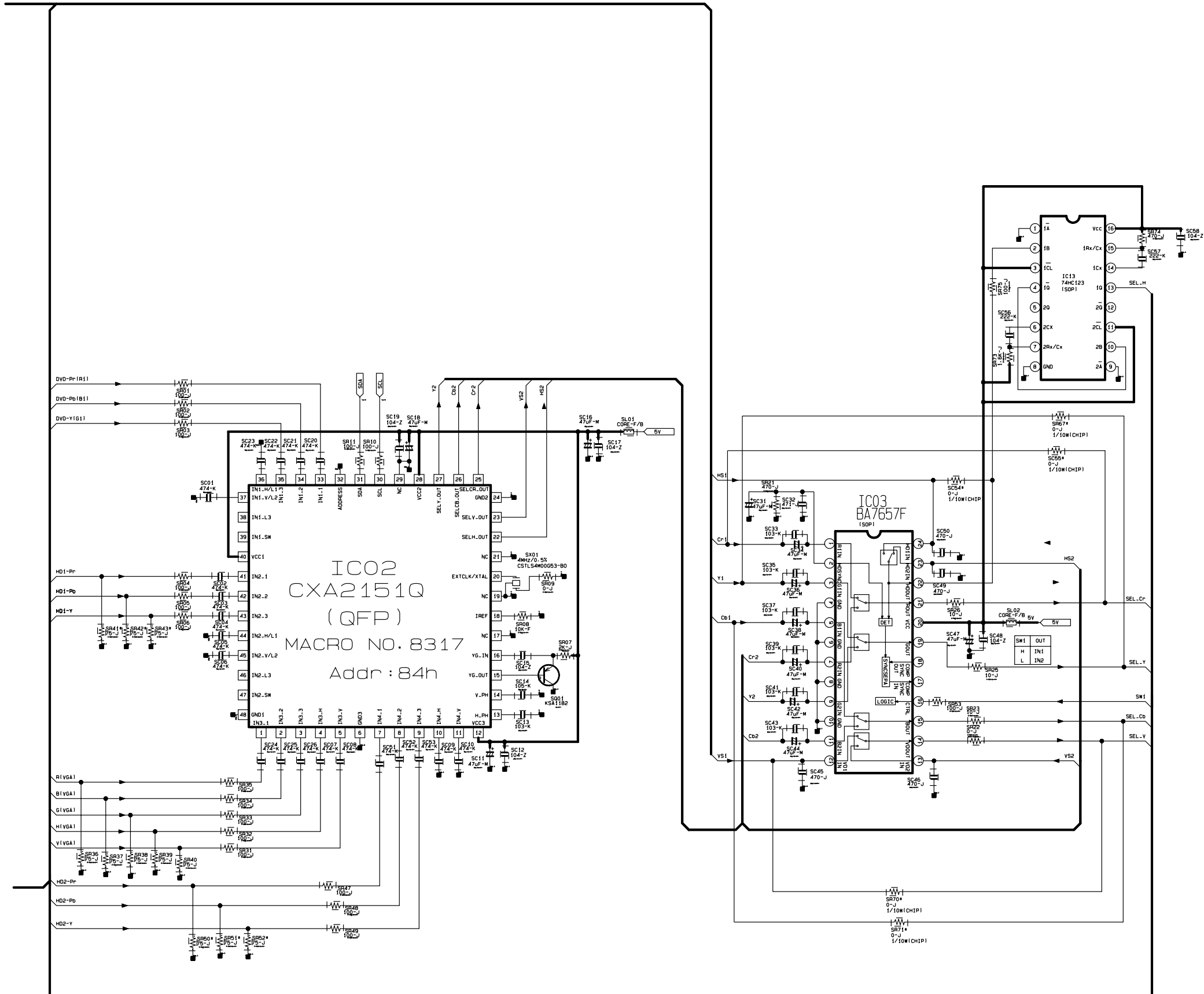
10-11 PRO SCAN 1



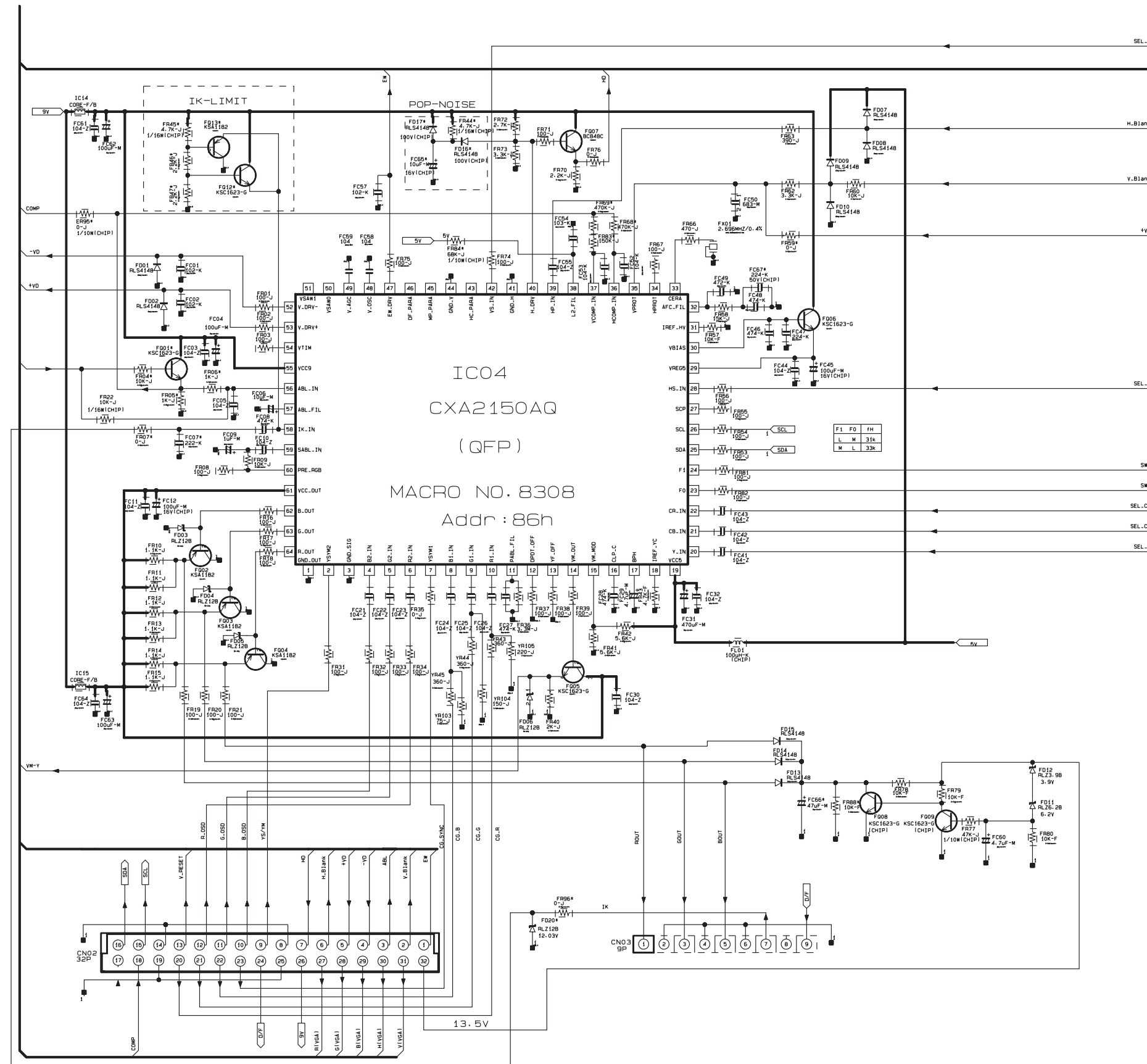
10-12 PRO SCAN 2



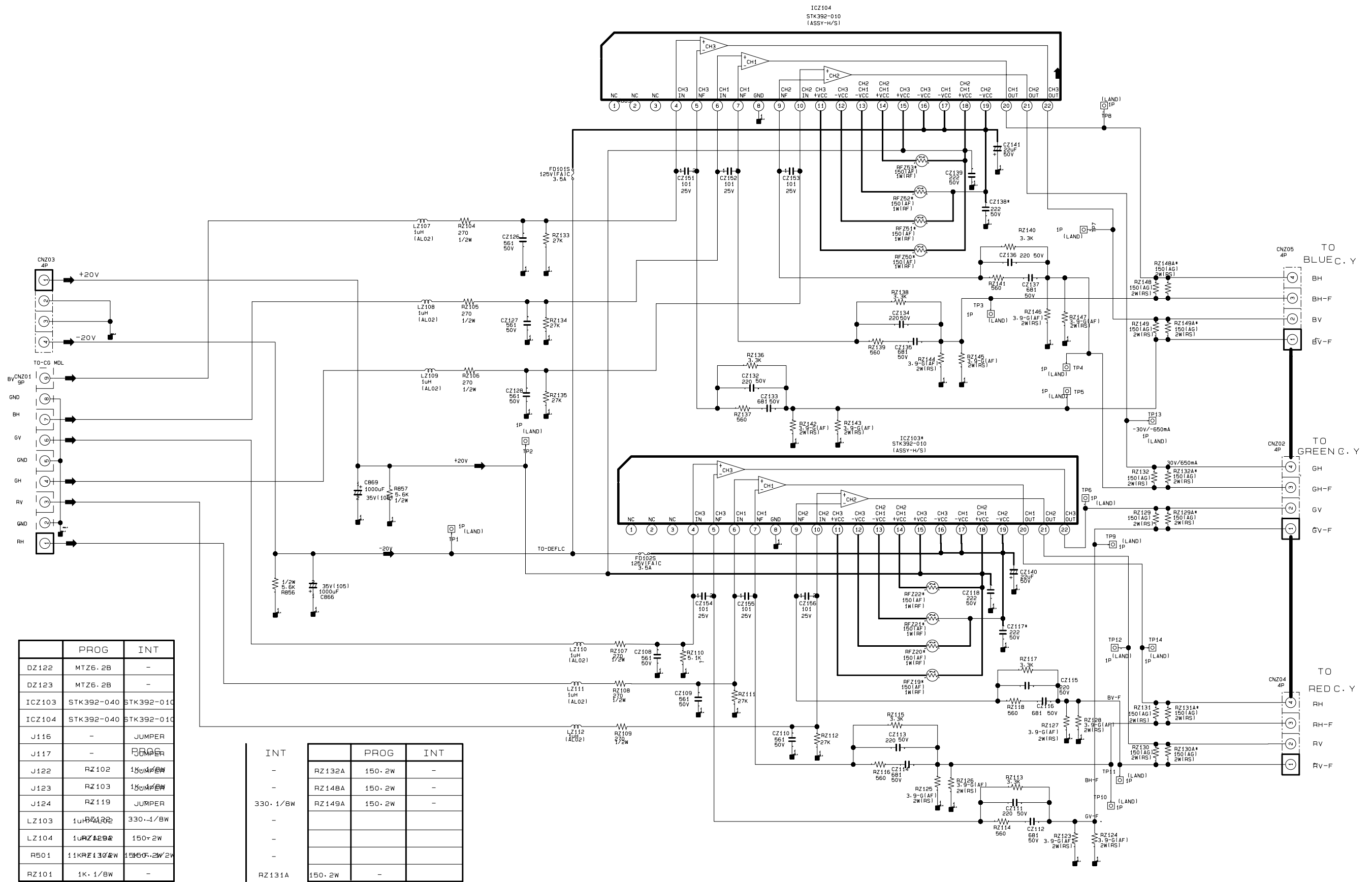
10-13 PRO SCAN 3



10-14 PRO SCAN 4



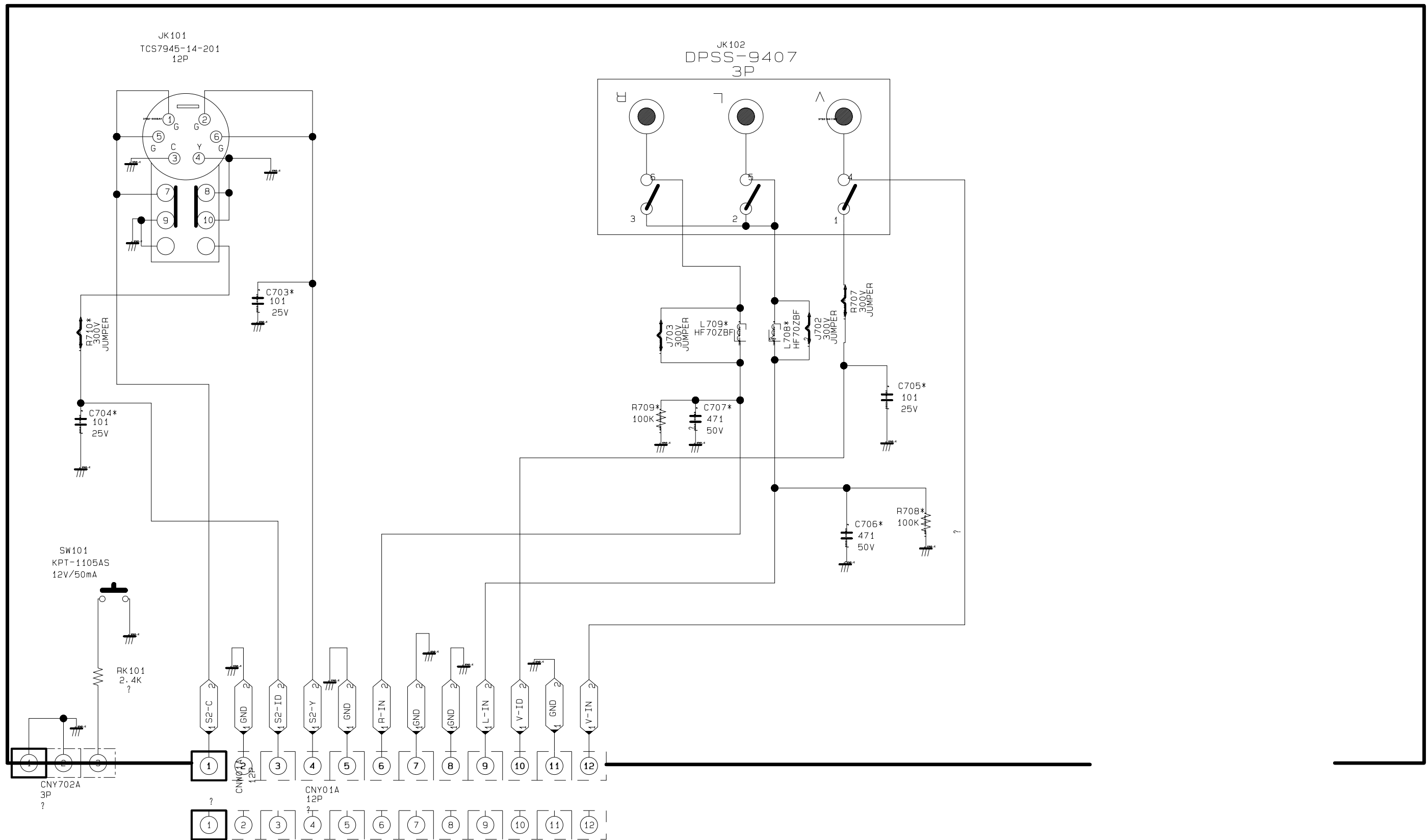
10-15 CG AMP



	PROG	INT
DZ122	MTZ6-2B	-
DZ123	MTZ6-2B	-
ICZ103	STK392-040	STK392-010
ICZ104	STK392-040	STK392-010
J116	-	JUMPER
J117	-	JUMPER
J122	RZ102	150-1/2W
J123	RZ103	150-1/2W
J124	RZ119	JUMPER
LZ103	1uH AL02	330-1/2W
LZ104	1uH AL02	150-2W
R501	11K 1/2W	150-2W
RZ101	1K-1/2W	-

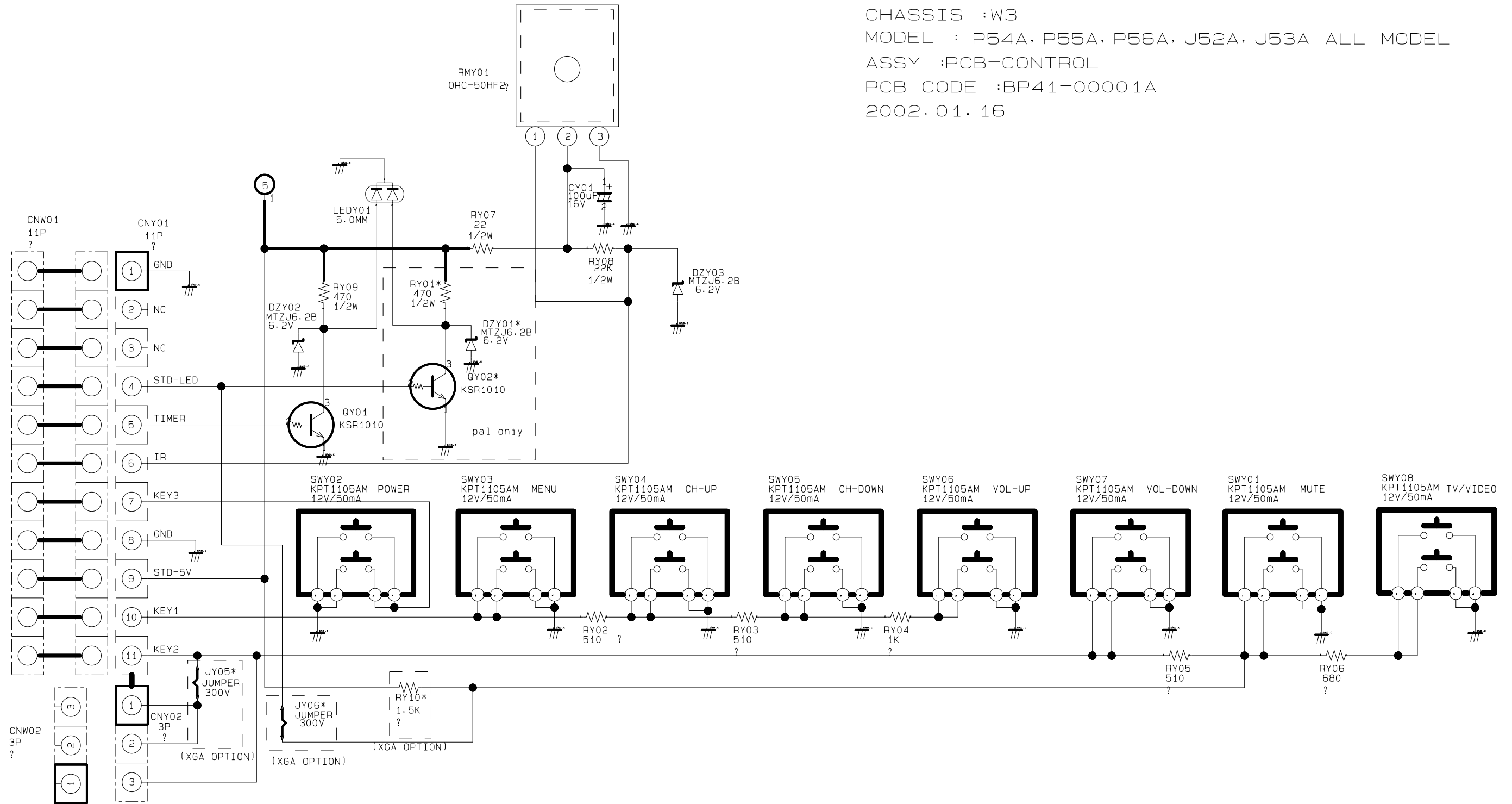
INT	PROG	INT
-	RZ132A	150-2W
-	RZ148A	150-2W
-	RZ149A	150-2W
330-1/2W		
-		
-		
-		
RZ131A	150-2W	-

10-16 AV FRONT



10-17 CONTROL

CHASSIS :W3
 MODEL : P54A, P55A, P56A, J52A, J53A ALL MODEL
 ASSY :PCB-CONTROL
 PCB CODE :BP41-00001A
 2002.01.16



10-18 DY JACK, SENSOR

